

THE AMERICAN CUP ★ 2024

DAILY ROUNDS AND SCHEDULE

Watch Live on uschesschamps.com and on the StlChessClub's YouTube and Twitch.tv channels

SCHEDULE

3.12

CHAMPIONS BRACKET

MATCH 1-4 GAME 1 | 1 P.M.

MATCH 1-4 GAME 2 | 5 P.M.

3.13

CHAMPIONS BRACKET

MATCH 1-4 GAME 3 | 1 P.M.

MATCH 1-4 GAME 4 | 5 P.M.

MATCH 1-4 PLAYOFF | 6 P.M.

3.14

CHAMPIONS BRACKET

MATCH 7-8 GAME 1 | 1 P.M.

MATCH 7-8 GAME 2 | 5 P.M.

ELIMINATION BRACKET

MATCH 5-6 GAME 1 | 1 P.M.

MATCH 5-6 GAME 2 | 2 P.M.

MATCH 5-6 GAME 3 | 3 P.M.

MATCH 5-6 GAME 4 | 4 P.M.

MATCH 5-6 PLAYOFF | 5 P.M.

3.15

CHAMPIONS BRACKET

MATCH 7-8 GAME 3 | 1 P.M.

MATCH 7-8 GAME 4 | 5 P.M.

MATCH 7-8 PLAYOFF | 6 P.M.

ELIMINATION BRACKET

REST DAY

3.16

CHAMPIONS BRACKET

MATCH 11 GAME 1 | 1 P.M.

MATCH 11 GAME 2 | 5 P.M.

ELIMINATION BRACKET

MATCH 9-10 GAME 1 | 1 P.M.

MATCH 9-10 GAME 2 | 2 P.M.

MATCH 9-10 GAME 3 | 3 P.M.

MATCH 9-10 GAME 4 | 4 P.M.

MATCH 9-10 PLAYOFF | 5 P.M.

3.17

CHAMPIONS BRACKET

MATCH 11 GAME 3 | 1 P.M.

MATCH 11 GAME 4 | 5 P.M.

MATCH 11 PLAYOFF | 6 P.M.

ELIMINATION BRACKET

MATCH 12 GAME 1 | 1 P.M.

MATCH 12 GAME 2 | 2 P.M.

MATCH 12 GAME 3 | 3 P.M.

MATCH 12 GAME 4 | 4 P.M.

MATCH 12 PLAYOFF | 5 P.M.

3.18

CHAMPIONS BRACKET

REST DAY

ELIMINATION BRACKET

MATCH 13 GAME 1 | 1 P.M.

MATCH 13 GAME 2 | 2 P.M.

MATCH 13 GAME 3 | 3 P.M.

MATCH 13 GAME 4 | 4 P.M.

MATCH 13 PLAYOFF | 5 P.M.

3.19

CHAMPIONS BRACKET

MATCH 14 GAME 1 | 1 P.M.

MATCH 14 GAME 2 | 5 P.M.

3.20

CHAMPIONS BRACKET

MATCH 14 GAME 3 | 1 P.M.

MATCH 14 GAME 4 | 5 P.M.

MATCH 14 PLAYOFF | 6 P.M.

3.21

ELIMINATION BRACKET

MATCH 15 IS ONLY NEEDED IF EACH PLAYER INVOLVED HAS LOST ONE MATCH THUS FAR.

MATCH 15 GAME 1 | 1 P.M.

MATCH 15 GAME 2 | 2 P.M.

MATCH 15 GAME 3 | 3 P.M.

MATCH 15 GAME 4 | 4 P.M.

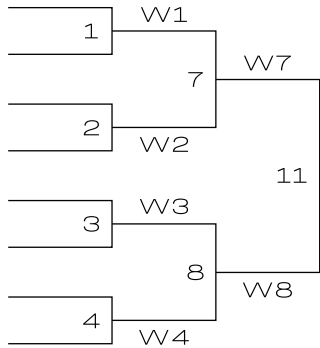
MATCH 15 PLAYOFF | 5 P.M.

THE AMERICAN CUP BLITZ EVENT 1 P.M.

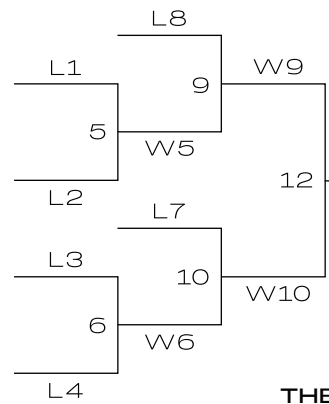
A SIDE EVENT FEATURING THE ELIMINATED PLAYERS AND LOCAL TITLED PLAYERS

CHASE PARK PLAZA - STARLIGHT ROOM

CHAMPIONS BRACKET



ELIMINATION BRACKET



WINNING PLAYERS (W)
CONTINUE IN THE CHAMPIONS BRACKET

LOSING PLAYERS (L)
MOVE TO THE ELIMINATION BRACKET

IF W11 LOSES MATCH 14,
THERE WILL BE A PLAYOFF (BLUE)

FORMAT

FIELDS

OPEN

GM Fabiano Caruana
GM Wesley So
GM Leinier Dominguez
GM Levon Aronian
GM Sam Sevian
GM Ray Robson
GM Sam Shankland
GM Grigoriy Oparin

CHAMPIONS BRACKET BONUS **\$15,000**
TOTAL PRIZE FUND **\$250,000**

WOMEN'S

GM Irina Krush
FM Alice Lee
WGM Begim Tokhirjonova
IM Anna Zatonskih
IM Nazi Paikidze
WGM Tatev Abrahamyan
WGM Jennifer Yu
WIM Zoey Tang

CHAMPIONS BRACKET BONUS **\$9,000**
TOTAL PRIZE FUND **\$150,000**



WORLD CHESS HALL OF FAME 4652 MARYLAND AVENUE, SAINT LOUIS, MO 63108 | 314.361.CHESS (2437)
#AMERICANCUP #STLCHESSCLUB

